

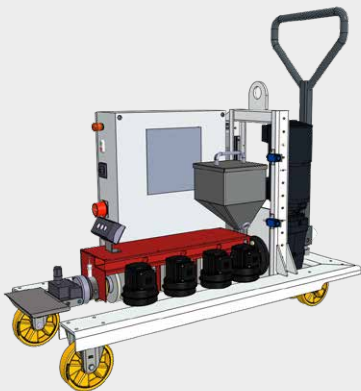
# CUSTOMIZED EXTRUDERS AND DIES

Customer needs are a starting point in designing customized extruder and die. Extron-Mecanor has 30 years' experience in design, production and maintenance of extrusion technology. Wide know-how offers to customer a partner that can produce extruders and dies to numerous applications and connectivity to other systems and machines. Extruder screw and die

rheology is calculated individually according to customer need. Together with customer Extron-Mecanor carry out detailed demand analysis which act as a base to the project. Extron-Mecanor offers turn key solutions, training for users and preventive maintenance to keep your production running as efficient as possible.

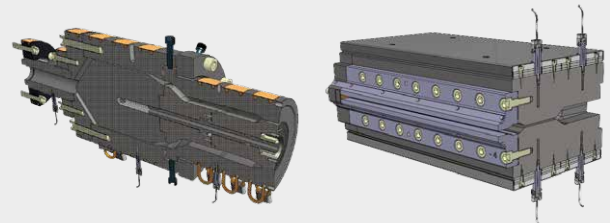
## EXTRUDERS

- Extruder range from ex-18 to ex-160
- Capacity from 5 to 1500 kg/h
- Usable materials are PE, PP, PET, PLA, recycled materials, pulp etc.
- Adjustable feed bush
- Mobile application and data logging
- Latest technical solutions and high-quality components
- Long operating life and durability of machines



## DIES

- Multiple layers from 1 to 11
- Sheet, pipe, film, profile
- Long-term partnership with quality suppliers



### EXTRON ENGINEERING OY / MECANOR OY

Talittatie 4, FI-37800 Akaa, Finland  
tel. +358 207 302 800  
info@extron-mecanor.com



[www.extron-mecanor.com](http://www.extron-mecanor.com)

